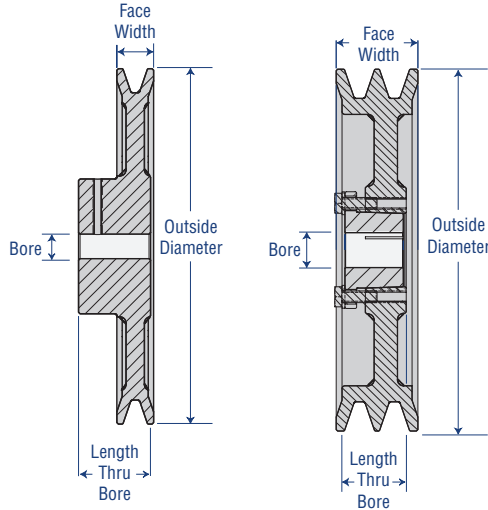




FHP & VP SHEAVES Nomenclature

FHP Sheaves

Bored-to-Size and MST® Bushed



of Grooves

If not listed, sheave is a single groove

Belt Selection

AK 3L, 4L, A Section

BK 4L, 5L, A, B Section

2 AK 104 3/4

Bore or Bushing

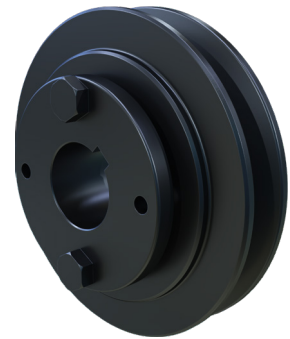
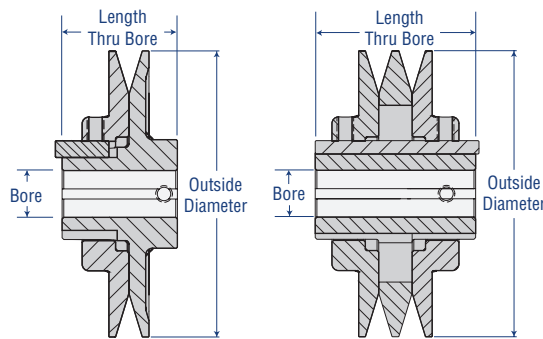
Bore in Inches
MST® "H" Bushing

Approximate OD

1 decimal point: 10.4"

Variable Pitch Sheaves

Bored-to-Size



of Grooves

Variable Pitch

Belt Selection:
3L, 4L, 5L, A, B, 5V Section

1 VP 68 1 3/4

Bore

Inches

Approximate OD

1 decimal point: 6.8"

Full Line in Stock Now

Wide Variety for HVAC and Lawn and Garden Equipment Applications

martinsprocket.com - 817.258.3000